

# CAN-EtherCAT

## EtherCAT / CAN Gateway

- fast and reliable linking EtherCAT and CAN
- no limitation in the number of CAN nodes
- CANopen functionality as master or slave device

### Linking EtherCAT and CAN

The CAN-EtherCAT module links any EtherCAT network to a CAN network. The gateway operates as an EtherCAT slave with a maximum of 8 Kbytes input or output data on the EtherCAT bus.

### Applications

With the CAN gateway you can connect CAN modules with CANopen (CiA DS 301) or layer-2 (ISO 11898-1) implementation to a real-time EtherCAT network.

The number of CAN nodes is not limited by the gateway.

The module can also be configured as Ethernet switch port using the EoE protocol (Ethernet-over-EtherCAT).

### Physical Interfaces

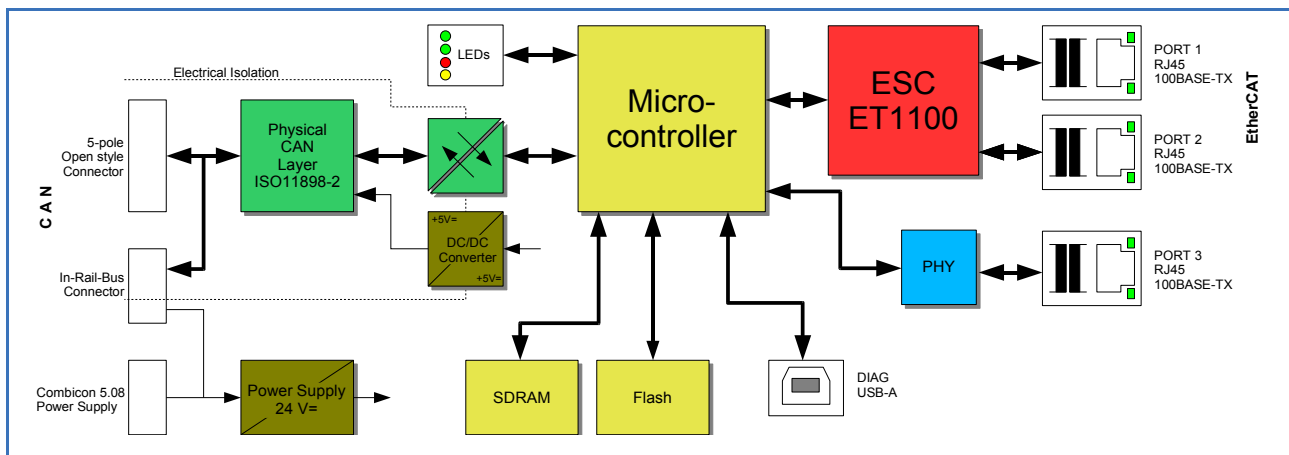
The CAN high speed (ISO 11898-2) compatible interface allows a maximum data-transfer rate of 1 Mbit/s.

The 100BASE-TX EtherCAT interface is compatible to IEEE 802.3 and runs with 100 Mbit/s.

The EtherCAT as well as the CAN interface are electrically isolated.

### Configuration and protocols

Configuration is done through EtherCAT master, web interface or USB.



### Technical Specifications:

#### CPU:

Microcontroller: ARM9, 200 MHz

Memory: 32 MB SDRAM

#### CAN:

CAN controller: ISO 11898-1

CAN interface: 5-pin open style 3.81 (CiA DR 303-1), 1 Mbit/s, ISO 11898-2, electrically isolated

#### EtherCAT slave controller (ESC):

ESC ASIC: ET1100

ESC interface: 2x RJ45, 100BASE-TX, 100 Mbit/s, IEEE 802.3, electrically isolated

#### General:

Supply voltage: nom. 24 VDC / 150 mA  
min./max.: 18 VDC / 32 VDC

Operating temperature: 0...50° C

Dimensions [mm]: 22 x 112 x 113

Connectors: CAN: 5-pin open style 3.81

EtherCAT: 2x RJ45

power: 4-pin spring force plug 5.08

#### Order information:

| Designation      |   | order no. |
|------------------|---|-----------|
| CAN-EtherCAT     | EtherCAT / CAN gateway, documentation on CD | C.2922.02 |
| CANopen-EtherCAT | EtherCAT / CANopen gateway                  | C.2923.02 |